

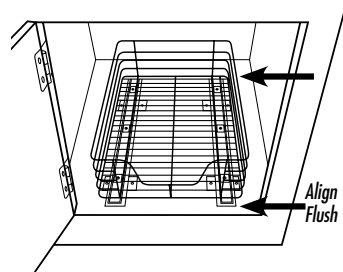
MOUNTING INSTRUCTIONS FOR SLIDING ORGANIZERS:

Single-Tier, 2-Tier, Extra Deep, Under Sink, & Waste Can Organizers



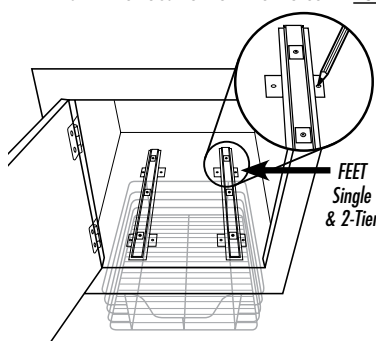
STEP 1

Place organizer in cabinet in the desired location. *Make sure slides are flush with the front and back of organizer basket.*

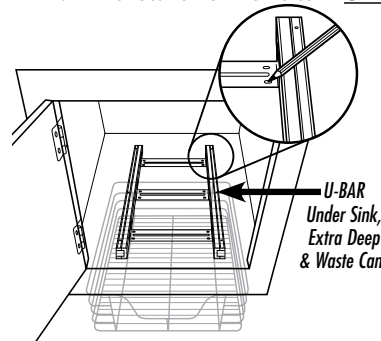


STEP 2

For Single & 2-Tier Organizers:
Mark the location of the holes in **feet**.



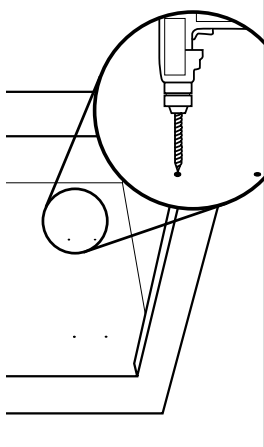
For Extra Deep, Under Sink & Waste Can Organizers:
Mark the location of the holes in **U-Bars**.



Slide basket forward to gain better access to brackets & hardware. *If basket catches on cabinet lip, place a metal washer or small thin strip of wood or plastic under front brackets to elevate runner glides.*

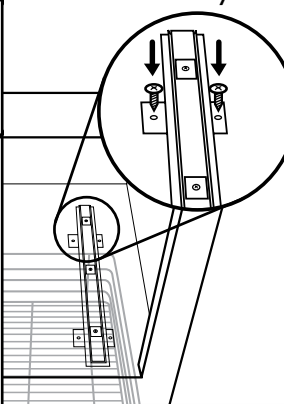
STEP 3

Remove organizer from cabinet and drill pilot holes at marked locations in cabinet.



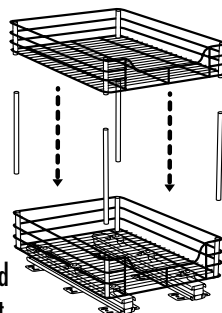
STEP 4

Position organizer back into cabinet. Use provided screws to secure glides into pre-drilled holes. *Make sure the organizer slides in and out freely.*



NOTE FOR C21217, C21417 & C26512

Top and lower baskets come nested on top of one another. To attach place vertical chrome rods into slots on lower baskets and mount top basket to vertical rods.

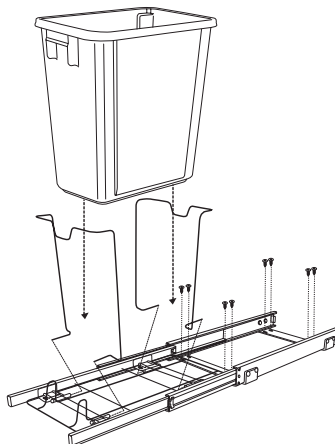


NOTE FOR C26512 UNDER SINK CABINET ORGANIZERS:

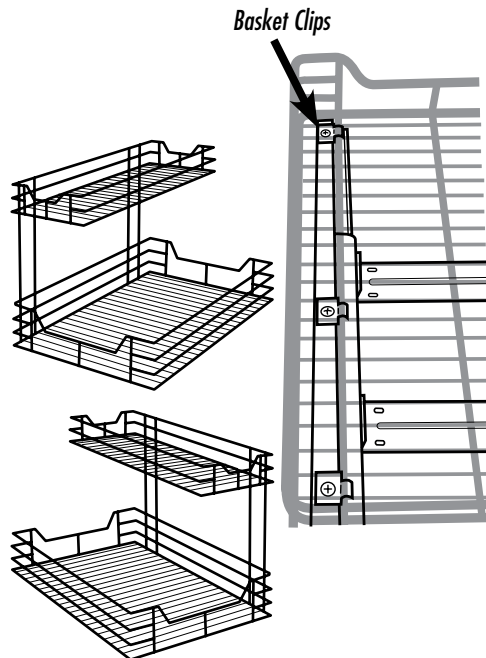
Unit can be reversed—so it can be placed in right or left side of cabinet. *To reverse unit:* Use a screwdriver and wrench to loosen and remove the screws from the nuts that attach the wire basket clips to the glides. Turn unit. Reattach wire clips to glides.

NOTE FOR C29517, C29521 & C21212

Insert wire frame sections for wastebasket into slots on base. Place wastebasket into wire frame.



Basket Clips



©2010 Household Essentials™
Hazelwood, MO 63042
www.householdessential.com
1-800-922-5524 • 314-428-5657

TOOLS REQUIRED:

Phillips head screwdriver & drill.
Wrench may be needed for C26512.